



# MP121

## Mobile Barcode Printer

**325g**  
Weight

**1.5m**  
Drop Specification

**Direct Thermal**  
Print Method

**1150mAh**  
Battery

**IP54**  
Sealing  
(with protective case)

**48mm**  
Print Width

MP121 is a thermal mobile printer designed for enterprises and businesses. It can be used for a variety of printing needs such as barcodes, labels and receipts. MP121 is an attractive, lightweight and portable device that is ideal for retail, warehousing, logistics, field work and other mobile printing applications. Being robust and durable, MP121 is waterproof and dustproof with IP54 certification and can withstand a 1.5m drop when wearing the protective case. The high durability feature allows users to easily cope with accidental drops or unexpected environmental changes on the job. Additionally, MP121 also comes with a proprietary label design software to create labels or receipts for various workplaces. It also supports image printing to help promote the corporate brand image for customers wherever and whenever possible.

### Sleek Design and Comfortable Use

With its streamlined design and matte black finish, the MP121 is a sleek device for retail clerks and field workers. The MP121 is lightweight and portable, weighing only 325 grams with the battery included, making it a great tool for people who need to work with mobile printers for long periods of time.

### Long-Lasting Power Designed for Mobile Printing

MP121 is powered by a 1150mAh lithium battery that can reach up to 72 hours of standby time and up to 8 hours of general usage when unplugged from the charger, which can sufficiently meet the requirements of a full day of work.

### High-Durability Protection Designed for Field Workers

MP121 is waterproof and dustproof up to the IP54 certification, as well as included with drop protection up to 1.5 meters. Therefore, users don't need to worry about their work being interrupted by unexpected situations, such as rains, winds or daily accidents.

### Wired/Wireless Communication Support

Apart from supporting dual transmission interfaces via USB and RS232, MP121 also supports Bluetooth connection applications, making data transmission easier and more convenient.

### Custom Label Design Software to Enhance Brand Image

Customers can use the proprietary custom label design software to create their own labels for brand promotion. Also, customers are provided with 60MB of memory to locally store hundreds of customized labels on the device. Having multiple label styles and templates makes mobile printing easier as the user can select the appropriate one given the dimension and destination of a specific label.

### Multiple Accessories for Every Workplace

MP121 comes with a belt strap for users to wear and also has other optional accessories designed for different workplaces. Regardless if its retail, warehouse or logistics personnel or field workers who need to print payment slips or take-away tickets, the MP121 will empower everyone to work in a more intelligent and efficient way.

### Option for 3-inch Printing Width

For the bigger-size printing needs, iMotion also provides MP131, which comes with the printing width up to 72mm (2.8"). It is equipped with the same level of performance as MP121, and able to cover more printing information.

#### APPLICATIONS



Retail



Manufacturing



Warehouse

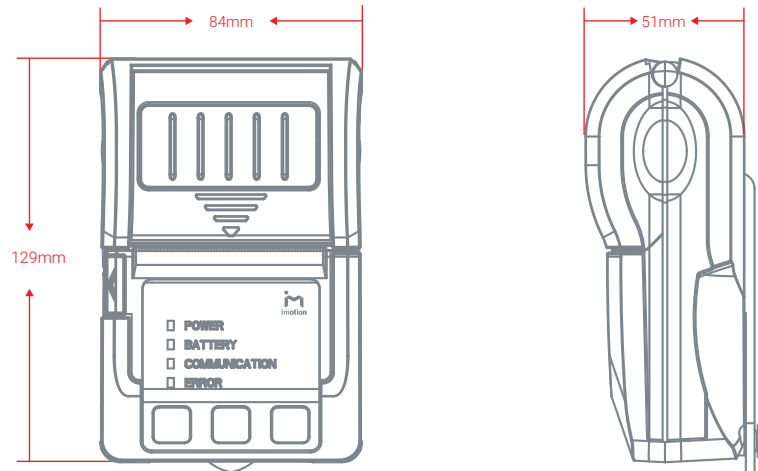


Logistics

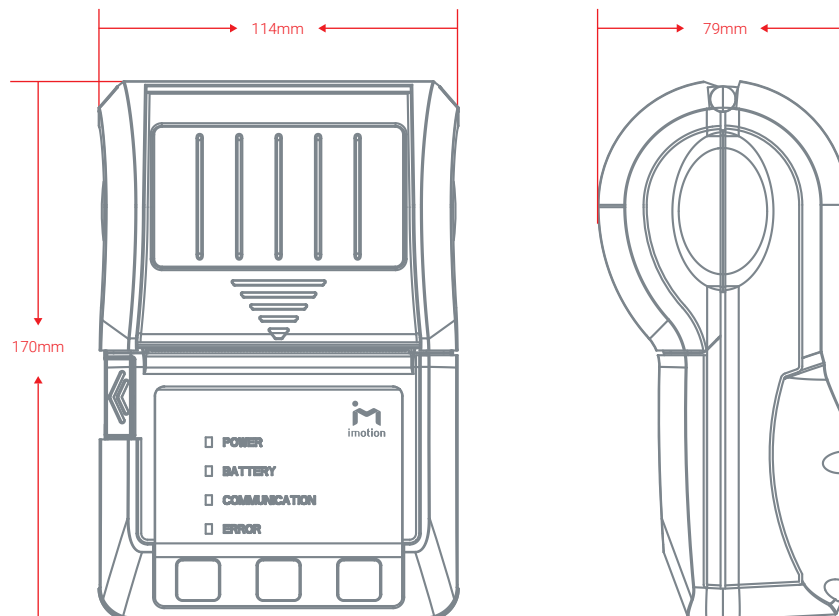


Field Service

### MP121



### MP131



# MP121

## Specification

Update Date: 2021.03.05

### Physical Characteristics

**Dimensions** 129.55 mm \* 84 mm \* 51 mm (5.1"x3.3"x2.0")

**Weight** 325g

**Color** Black

**Control Panel**

- 4 dual color LEDs for Power, Battery, Communication and Error status indication
- 3 buttons for Power, Feed and BT functions

### Printer Specifications

**CPU** 32 Bit RISC CPU

**Memory**

- 32MB SDRAM
- 128MB Flash ROM (60 MB for user storage)

**Print Method** Direct Thermal

**Resolution** 203 dpi (8 dots/mm)

**Print Speed** Up to 4 IPS (101.6 mm/s)

**Print Width** 1.89" (48 mm)

**Print Length** 45" (~1142 mm)

**Sensor Type** Gap sensor, Fixed transmissive sensor, Fixed reflective sensor

### Media Characteristics

**Media Type**

- Direct Thermal receipt, anti-UV receipt, gap label, center alignment
- Inter-label gap size from 2 mm to 4 mm. 3 mm preferred

**Media Width** 2.28" (59 mm) fixed

**Media Thickness** Min. 0.0508 mm, Max. 0.165 mm

**Media Roll Diameter** Max. 1.57" (40 mm)

### Communication Interfaces

**Supported Host Interfaces**

- RS232 + USB 2.0 port, mini-B type connector
- Bluetooth 2.1 + EDR

### Power

**Battery** Rechargeable DC 7.4 V Lithium-ion battery, 1150 mAh or higher capacitance

**Power Adapter**

- Switching power supply
- I/P: 100 / 240 V AC, 50 / 60 Hz, DC 9 V / 2.2 A

### Printer Language, Fonts and Barcodes

**Printer Language** GPOS Emulations or EZPL / GZPL / GEPL /GDPL Emulations

**Resident Fonts**

- **Bitmap Fonts:** 6, 8, 10, 12, 14, 18, 24, 30, 16x26 and OCR A & B. 0°, 90°, 180°, 270° rotatable
- **TTF Fonts:** TTF Fonts (Bold / Italic / Underline). 0°,90°, 180°, 270° rotatable

**Download Fonts**

- **Bitmap Fonts:** 90°, 180°, 270° rotatable, single characters 90°, 180°, 270° rotatable
- **Asian Fonts:** 16x16, 24x24. Traditional Chinese (BIG-5), Simplified Chinese (GB2312), Japanese (S - JIS), Korean (KS -X1001). 90°, 180°, 270° rotatable and 8 times expandable in horizontal and vertical directions
- **TTF Fonts:** TTF Fonts (Bold / Italic / Underline). 0°,90°, 180°, 270° rotatable

**Barcode Symbologies**

- **1-D Barcodes:** China Postal Code, Codabar, Code 11, Code 32, Code 39, Code 93, Code 128 (subset A, B, C), EAN-8/EAN-13 (with 2 & 5 digits extension), EAN 128, FIM, German Post Code, GS1 DataBar, HIBC, Industrial 2 of 5, Interleaved 2-of-5 (1 2 of 5), Interleaved 2-of-5 with Shipping Bearer Bars, ISBT-128, ITF 14, Japanese Postnet, Logmars, MSI, Postnet, Plessey, Planet 11 & 13 digit, RPS 128, Standard 2 of 5, Telepen, Matrix 2 of 5, UPC-A/UPC-E (with 2 or 5 digit extension), UCC/EAN-128 K-Mart and Random Weight
- **2-D Barcodes:** Aztec code, Code 49, Codablock F, Datamatrix code, MaxiCode, Micro PDF417, Micro QR code, PDF417, QR code, TLC 39, GS1 Composite

**Code Pages**

- CODEPAGE 437, 850, 851, 852, 855, 857, 860, 861, 862, 863, 865, 866, 869, 737
- WINDOWS 1250, 1251, 1252, 1253, 1254, 1255, 1257
- Unicode UTF8 · UTF16BE · UTF16LE

**Graphics** Resident graphic file types are BMP and PCX, other graphic formats are downloadable from the software

### User Environment

**Operating Temp.** -10~50°C (14~122 °F)

**Storage Temp.** -20~60°C (-4~140°F)

**Humidity** 10%~90% non-condensing

**Sealing** Intrusion Protection, IP42 requirement for case design, IP54 for protective case

**Drop Spec.** 1.5m

### Regulatory Compliance

**Certifications** BSMI/ CE/ NCC/ CB

## Software

<b>Design Software</b>	iMotion Label Design Software (for EZPL only)
<b>Driver</b>	Vista, Windows 7, Windows 8 & 8.1, Windows 10, Windows Server 2008 R2, 2012, 2012 R2, 2016, 2019, MAC, Linux
<b>SDK</b>	Win CE, .NET, Windows Vista, Windows 7, Windows 8 & 8.1, Windows 10, Android, Mac, iOS

## Accessories

<b>Accessories</b>	<ul style="list-style-type: none"><li>• Thermal Paper Roll * 1</li><li>• Belt Strap</li><li>• Lithium-ion Battery</li><li>• USB cable</li><li>• RS-232 cable (optional)</li><li>• 4-bay battery charger station (optional)</li><li>• Car charger adapter (optional)</li><li>• Protective case (optional)</li></ul>
--------------------	--

# MP131

## Specification

Update Date: 2021.03.05

### Physical Characteristics

<b>Dimensions</b>	170.63 mm * 114.01 mm * 79 mm (6.71"x4.48"x3.11")
<b>Weight</b>	660g, with battery
<b>Color</b>	Black
<b>Control Panel</b>	<ul style="list-style-type: none"> <li>4 dual color LEDs for Power, Battery, Communication and Error status indication.</li> <li>3 buttons for Power, Feed and BT functions</li> </ul>

### Printer Specifications

<b>CPU</b>	32 Bit RISC CPU
<b>Memory</b>	<ul style="list-style-type: none"> <li>32MB SDRAM</li> <li>128MB Flash ROM (60 MB for user storage)</li> </ul>
<b>Print Method</b>	Direct Thermal
<b>Resolution</b>	203 dpi (8 dots/mm)
<b>Print Speed</b>	Up to 4 IPS (101.6 mm/s)
<b>Print Width</b>	2.8" (72mm)
<b>Print Length</b>	30" (~762mm)
<b>Sensor Type</b>	Gap sensor, Fixed transmissive sensor, Fixed reflective sensor

### Media Characteristics

<b>Media Type</b>	<ul style="list-style-type: none"> <li>Direct Thermal receipt, anti-UV receipt, gap label, left side alignment.</li> <li>Inter-label gap size from 2 mm to 4 mm. 3 mm preferred</li> </ul>
<b>Media Width</b>	Max. 3.15" (80 mm), Min. 1.5" (38.1mm)
<b>Media Thickness</b>	Min. 0.0508 mm, Max. 0.165 mm
<b>Media Roll Diameter</b>	Max. 2.35" (60 mm) on 0.5"(12.5mm) core

### Communication Interfaces

<b>Supported Host Interfaces</b>	<ul style="list-style-type: none"> <li>RS232 + USB 2.0 port, mini-B type connector</li> <li>Bluetooth 2.1 + EDR</li> </ul>
----------------------------------	--

### Power

<b>Battery</b>	Rechargeable DC 7.4 V Lithium-ion battery, 2500mAh or higher capacitance
----------------	--

<b>Power Adapter</b>	<ul style="list-style-type: none"> <li>Switching power supply</li> <li>I/P: 100 / 240 V AC, 50 / 60 Hz, DC 9 V / 2.2 A</li> </ul>
----------------------	---

### Printer Language, Fonts and Barcodes

<b>Printer Language</b>	GPOS Emulations or EZPL / GZPL / GEPL/ GDPL Emulations
<b>Resident Fonts</b>	<ul style="list-style-type: none"> <li><b>Bitmap Fonts:</b> 6, 8, 10, 12, 14, 18, 24, 30, 16x26 and OCR A &amp; B. 0°, 90°, 180°, 270° rotatable</li> <li><b>TTF Fonts:</b> TTF Fonts (Bold / Italic / Underline). 0°, 90°, 180°, 270° rotatable</li> </ul>
<b>Download Fonts</b>	<ul style="list-style-type: none"> <li><b>Bitmap Fonts:</b> 90°, 180°, 270° rotatable, single characters 90°, 180°, 270° rotatable</li> <li><b>Asian Fonts:</b> 16x16, 24x24. Traditional Chinese (BIG-5), Simplified Chinese (GB2312), Japanese (S - JIS), Korean (KS -X1001). 90°, 180°, 270° rotatable and 8 times expandable in horizontal and vertical directions</li> <li><b>TTF Fonts:</b> 90°, 180°, 270° rotatable</li> </ul>
<b>Barcode Symbologies</b>	<ul style="list-style-type: none"> <li><b>1-D Barcodes:</b> China Postal Code, Codabar, Code 11, Code 32, Code 39, Code 93, Code 128 (subset A, B, C), EAN-8/EAN-13 (with 2 &amp; 5 digits extension), EAN 128, FIM, German Post Code, GS1 DataBar, HIBC, Industrial 2 of 5, Interleaved 2-of-5 (I 2 of 5), Interleaved 2-of-5 with Shipping Bearer Bars, ISBT-128, ITF 14, Japanese Postnet, Logmars, MSI, Postnet, Plessey, Planet 11 &amp; 13 digit, RPS 128, Standard 2 of 5, Telepen, Matrix 2 of 5, UPC-A/UPC-E (with 2 or 5 digit extension), UCC/EAN-128 K-Mart and Random Weight</li> <li><b>2-D Barcodes:</b> Aztec code, Code 49, Codablock F, Datamatrix code, MaxiCode, Micro PDF417, Micro QR code, PDF417, QR code, TLC 39, GS1 Composite</li> </ul>
<b>Code Pages</b>	<ul style="list-style-type: none"> <li>CODEPAGE 437, 850, 851, 852, 855, 857, 860, 861, 862, 863, 865, 866, 869, 737</li> <li>WINDOWS 1250, 1251, 1252, 1253, 1254, 1255, 1257</li> <li>Unicode UTF8 · UTF16BE · UTF16LE</li> </ul>

<b>Graphics</b>	Resident graphic file types are BMP and PCX, other graphic formats are downloadable from the software
-----------------	---

### User Environment

<b>Operating Temp.</b>	-10~50°C (14~122 °F)
<b>Storage Temp.</b>	-20~60°C (-4~140°F)
<b>Humidity</b>	10%~90% non-condensing
<b>Sealing</b>	Intrusion Protection, IP42 requirement for case design, IP54 for protective case
<b>Drop Spec.</b>	1.5m

### Regulatory Compliance

<b>Certifications</b>	BSMI/ CE/ NCC/ CB
-----------------------	-------------------

## Software

**Design Software** iMotion Label Design Software (for EZPL only)

**Driver** Vista, Windows 7, Windows 8 & 8.1, Windows 10,  
Windows Server 2008 R2, 2012, 2012 R2, 2016, 2019,  
MAC, Linux

**SDK** Win CE, .NET, Windows Vista, Windows 7, Windows 8 &  
8.1, Windows 10, Android, Mac, iOS

## Accessories

- Accessories**
- Thermal Paper Roll\*1
  - Shoulder Strap
  - Lithium-ion Battery
  - USB cable
  - RS-232 cable (optional)
  - 4-bay battery charger station (optional)
  - Car charger adapter (optional)
  - Protective case (optional)
  - WiFi module (comply with IEEE 802.11b/g/n )  
(optional)